

## TEMPERATURE CONTROL UNIT



---

---

### Experimental capabilities

---

---

- Study of a temperature control loop
- Identification of the elements: Sensors, Controller, Actuator
- Setting the controller via interface
- PID All Or On/Off control
- Display of the different signals (by software, set point, measure)
- Plotting of curve in real-time
- Optimization of PID parameters of a regulating loop
- Reaction facing a disturbance

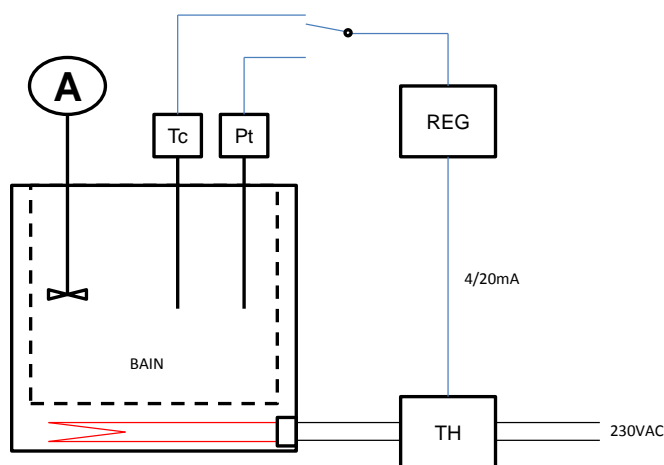
## Operating principle

The STL500 bench allows the study of the temperature control. Two temperature sensors a T-type thermocouple or a Pt 100 probe 3 wires measures the water temperature in the tank. A digital PID controller receives the temperature information and has to adjust the heating power of the resistor immersed in the tank to reach the setpoint. The bench also allows to wire the control loop with double sink sockets in  $\varnothing = 4 \text{ mm}$ . The unit comes complete with instrumentation with technical and pedagogical documentation in French and all the accessories required for proper operation (including the monitoring software).

The robust design of this equipment makes it perfectly suited for use in schools.

Its anodized aluminum frame with legs gives it great strength as well as great flexibility of integration into your premises. The manufacturing of this equipment meets the European machine directive.

## Illustrations



## Technical details

### Hot water bath

Capacity of 2 L  
Maximum power 1000 W  
Integrated safety thermostat

### A : Agitator with variable speed

Adjustable speed: 50-1300 rpm  
Volume of water up to 15L

### TH : Power modulation block

Power voltage 230 VAC  
Control signal : 4/20 mA  
Linear modulation : 0 à 100 %

### Tc : Temperature sensor: Thermocouple T

Thermocouple under sheathed steel  
Diameter 3 mm  
Length 150 mm  
The sensor signal is available at 2 terminals dual sinks

### Pt : Temperature sensor: Probe Pt 100

Sheathed steel probe  
Diameter 3 mm  
Length 150 mm  
The sensor signal is available on 3 terminals double sink

### REG : Electronic controller

Pt100 input signal or thermocouple  
Possibility of regulating in PID or On/Off  
4-20 mA output signal  
RS485 communication interface with USB output towards PC allowing the supervision

### Wiring synoptic of the loop

Sensor and actuator signals are brought back on double sink sockets

## Services required

- Electricity: 230 VAC mono - 50 Hz - 16 A
- Water supply, filling: 2 L
- Dimensions: (LxWxH mm): 580 x 400 x 600
- weight (Kg): 25

## Documentation

- User's manual
- Pedagogical manual
- Technical documentation of the components
- Lab exercises
- Certificate of conformity CE

Note : if the equipment installation is operated by our staff, all supplies and exhaust connections required must stand at less than 2m from the machine

# STL500



## Supervision

The bench is supplied with an interface software running under Windows and developed under Labview. It allows to change the PID parameters and the setpoint, view the measurement and output power, launch the auto setting and plot the curves in real time. The image below shows the interface:

