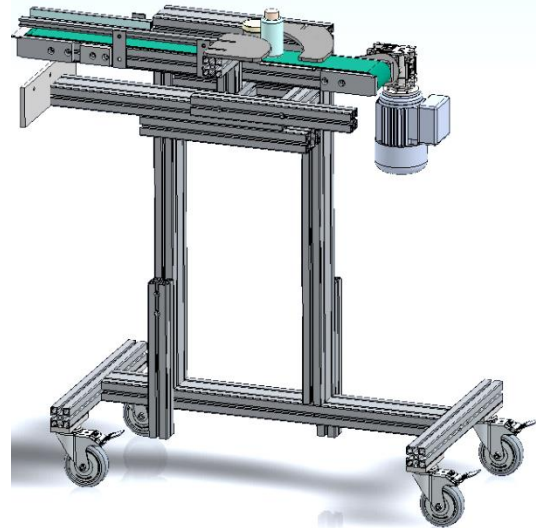


MLP206



RIGHT ANGLE CONVEYOR FOR MLP LINE



Experimental capabilities

- Production line drive
- Integration of line for awareness occupation time operator.
- Change of field
- Mechanical settings for format change
- Configuration of a variator (speed adjustment depending on the desired production rate)

DIDATEC– Zone d'activité du parc – 42490 FRAISSES- FRANCE
Tél. +33(0)4.77.10.10.10 – Fax+33(0)4.77.61.56.49 – www.didatec-technologie.com
email : service_commercial@didatec-technologie.com

Reproduction interdite / copy prohibited– Copyright DIDATEC mai-17- page 1

Dans le cadre de l'amélioration permanente de nos produits, ce descriptif technique est susceptible d'être modifié sans préavis
As part of the continuous improvement of our products, this technical specification may be modified without previous notifying

Illustrations non contractuelles / Illustrations not contractual

version : FT-MLP206-STD-C

MLP206



Operating principle

This machine is used in the industry to allow to adapt the available machinery component of a continuous production line depending on the layout of the premises.

This machine is designed to be used upstream of our MLP machines MLP 315, 325, 335, 345 or 550.

The robust design of this device makes it suitable for use in schools.

The equipment is set up on an Anodized aluminium frame on casters wheels. This gives it great strength and a flexibility of integration into your premises.

The manufacture of this equipment complies with the European standard for machinery manufacturing.

This equipment can be used alone or with other compatible equipment from our range (see last section of this document).

Technical details

Chassis:

A stainless steel structure in anodized aluminum mounted on 4 directional wheels with brake (easy movement)

Telescopic legs to allow to adjust the height of the conveyor according to the flatness of the ground

Adaptable fast mechanical connection system with the modules from the range MLP

Products transfer:

Conveyor belt with support beam with three-phase asynchronous motor & torque arm

Edges & guidance system adjustable in width depending on product type

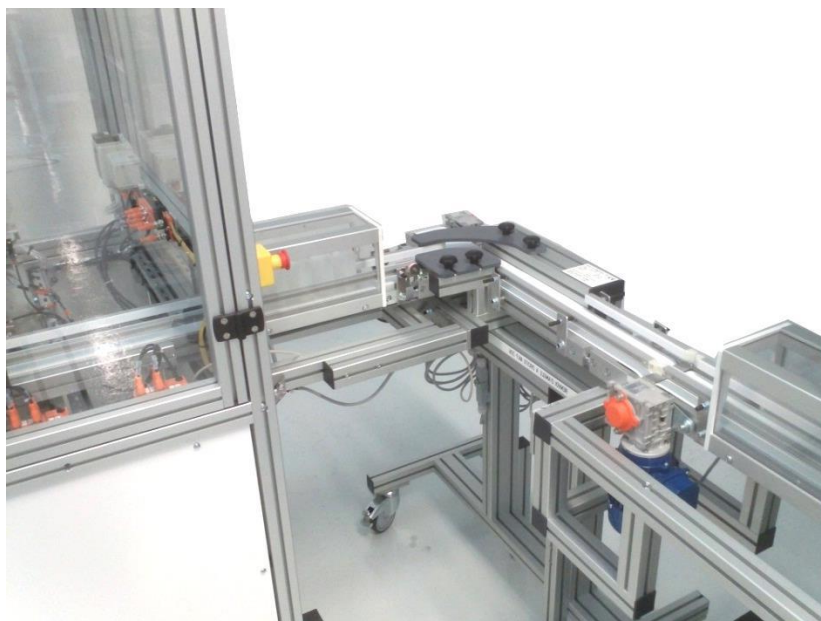
Voltage setting system and alignment of the conveyor belt

Electrical part:

Gearmotor set 0.09KW -4P -230/400V

2 connectors type harting for:

Connection to the machine placed downstream (MLP 315, 325, 335,345 or 550) to electrically power the motor by a variator present in every electrical box.



Connection with the machine placed upstream to ensure continuity of the communication between industrial automatons of the line (management of the saturations products on various conveyors)

Services required

Documentation

- Electrical supply : from MLP machine associated via a variator
- Dimensions: (LxWxH mm): 900 x 500 x 1200
- weight (Kg): 40

- User's manual
- Pedagogical manual
- Technical documentation of the components
- Lab exercises
- Certificate of conformity CE

Note : if the equipment installation is operated by our staff, all supplies and exhaust connections required must stand at less than 2m from the machine

DIDATEC– Zone d'activité du parc – 42490 FRAISSES- FRANCE
Tél. +33(0)4.77.10.10.10 – Fax+33(0)4.77.61.56.49 – www.didatec-technologie.com
email : service_commercial@didatec-technologie.com

Reproduction interdite / copy prohibited– Copyright DIDATEC mai-17- page 2

Dans le cadre de l'amélioration permanente de nos produits, ce descriptif technique est susceptible d'être modifié sans préavis
As part of the continuous improvement of our products, this technical specification may be modified without previous notifying