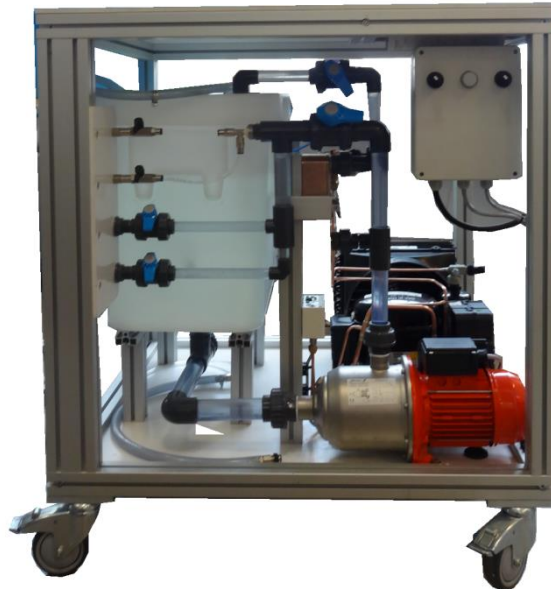


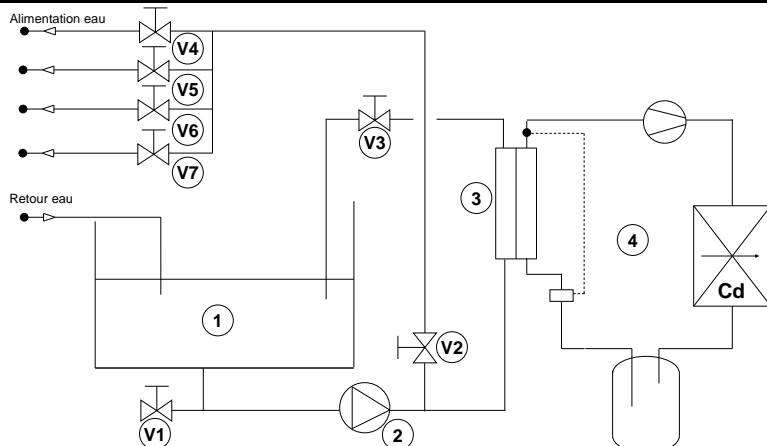
MODULE OF COLD WATER SUPPLY



Experimental capabilities

- Supply of pedagogical benches of the STL series
- The access to the components and the interventions on these are facilitated.
-

Illustrations



Technical details

1. Tank water supply

Volume: 75L
Material: white polypropylene
Supplied with lid and drain valve

2. Circulation pump

Maximum flow rate 4000L / h
Maximum pressure: 4.5bars
Material:
Stainless steel body
Wheel in noryl
Stainless steel shaft
Incorporated thermal protection

3. Plate exchanger

Brazed plate in stainless steel
Interface between the water circuit and the refrigerant fluid circuit

4. Cooling unit

Refrigeration cooling unit running on R404a
Air condenser
Power: 1100W to +5°C
Safety pressure switch high and low pressure

5. Departure and return water

Departures and return of water are provided for supplying the benches of the STL range

Services required

- Electrical supply : 230 Vac – 50 Hz – 10 A
- Water supply : 70L
- Dimensions: (LxWxH mm): 900 x 800 x 1000
- weight (Kg): 90

Documentation

- User's manual
- Pedagogical manual
- Technical documentation of the components
- Certificate of conformity CE

Note : if the equipment installation is operated by our staff, all supplies and exhaust connections required must stand at less than 2m from the machine