

LAMINAR FLOW TABLE-HELE SHAW APPARATUS



Experimental capabilities

- Visualisation of streamlines
- Visualisation of streamlines around of the different body shape
- Visualisation of streamlines through changes in cross-section
- Influence of the different body shape
- Influence of the sources of flows on the streamlines
- Contrast product : ink

Operating principle

BCD010 can be used to visualize streamline fields for flows around drag bodies and flow through changes in cross-section. The streamlines are displayed in colour by injecting a contrast medium (ink). The streamlines can be clearly observed through the glass plate during flow around and flow through. The water flow rate and the quantity of contrast medium injected can be adjusted by valves. The water connections are also activated by valves and can be combined as required. Individual models can be cut out of a rubber plate that is included.

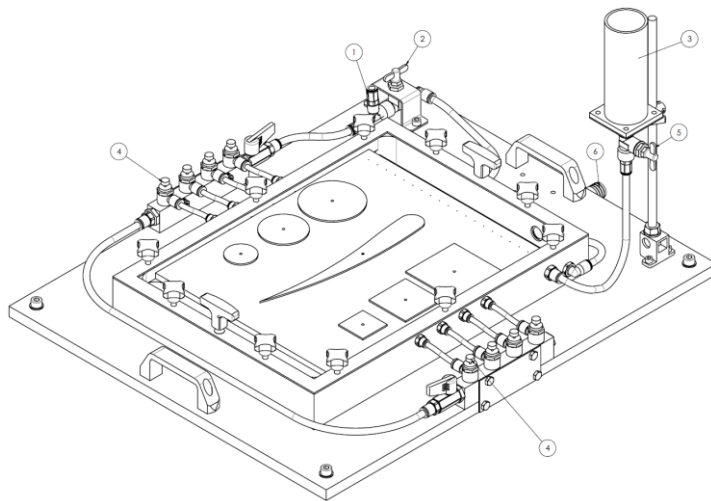
The robust design of this device makes it suitable for use in schools.

The materials used are resistant to corrosion.

This equipment can be used alone or with other compatible equipment from our range (see last section of this document).

Illustrations

Technical details



Tank for contrast medium

Volume : 200 mL

Holes for injecting the contrast medium

Injection of the contrast medium thanks to 19 holes

Drag body

11 models are provided and rubber plate for your own models

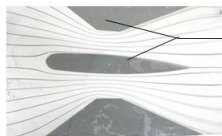
Experiment area

Dimension : 400 x 280 mm

Upper plate transparent for interchanging models

Valves for sources

Holes for sources and sinks



Differents shaped

Services required

Documentation

- Water supply: 15 L / min - 2 bars
- Water drain: at ground level
- Dimensions: (LxWxH mm): 640 x 570 x 470
- weight (Kg): 15

- User's manual
- Technical documentation of the components
- Lab exercises
- Certificate of conformity CE

Note : if the equipment installation is operated by our staff, all supplies and exhaust connections required must stand at less than 2m from the machine

Components included with the bench

- 1 set of models
- 1 bottle ink (250 mL)
- 1 set of water hoses
- 1 rubber plate