

## WATER TREATMENT BY INJECTION



---

---

### Experimental capabilities

---

---

- Study of a water treatment installation by injection
- 
- Setting of a dosing pump of product injection
- 
- Role of the different components
- 
- Measurement of the glycol percentage of an installation

## Operating principle

The test bench consists of the elements necessary for the treatment of water, they are fixed on frames made of aluminum profiles, the set mounted on castors is easily mobile.

The network water is sent into two different lines equipped with a treatment system by injection

The system allows to study a heating product injection by a dosing pump and an injection of glycol by injection pot.

The network is made in PVC tube

Sample takings are being planned at various points of the circuit.

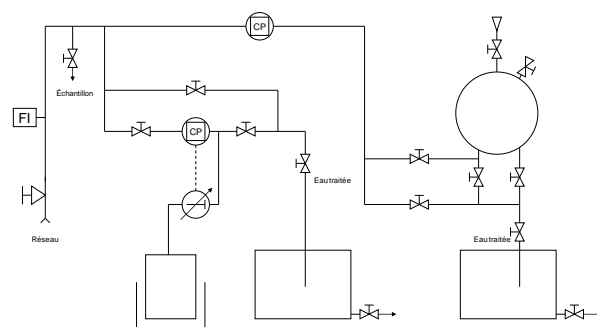
The robust design of this device makes it suitable for use in schools.

The equipment is set up on an Anodized aluminium frame on casters wheels. This gives it great strength and a flexibility of integration into your premises.

The manufacture of this equipment complies with the European standard for machinery manufacturing.

This equipment can be used alone or with other compatible equipment from our range (see last section of this document).

## Illustrations



## Technical details

### COMPOSITION OF THE BENCH

- Multi-turn control valve
- Float flowmeter
- Volumetric meter
- Injection pot of glycol
- Dosing pump
- Treatment product tank
- Two dump tanks of treated water
- Glycol canister (20L)
- A heating treatment product canister (20L)

### INSTRUMENTATION

- Refractometer (measurement of the glycol percentage)

## Services required

- Electrical supply : 230 VAC mono phase
- Water supply : network
- Water drain : on the floor
- Dimensions: (LxWxH mm): 1800 x 800 x 1700
- weight (Kg): 80

## Documentation

- User's manual
- Pedagogical manual
- Technical documentation of the components
- :
- Certificate of conformity CE

Note : if the equipment installation is operated by our staff, all supplies and exhaust connections required must stand at less than 2m from the machine