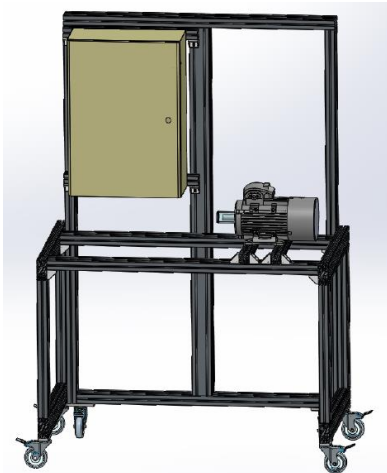


## ASYNCHRONOUS MOTOR WIRING KIT



---

### Experimental capabilities

---

- Study of engine protection
- Study of 1-way contactor control
- Study of 2-way control by inverter contactor
- Study of the engine start with star/time triangle switching
- Study of engine control by soft starter
- Study of motor control by frequency inverter
- Study of the motor coupling

## Operating principle

The asynchronous motor control wiring kit is dedicated to the realization of real wiring of control and power circuits of asynchronous motors.

It can be used to cover control topics with or without self-holding, integration of the circuit breaker state into the control loop, 1 or 2-way contactors, timed star/triangle switching, reversal of the direction of travel, soft start, frequency variation with or without brake resistors.

The supplied asynchronous motor is equipped with windings for star/delta switching

The coupling of the motor must be adapted according to the proposed wiring diagrams.

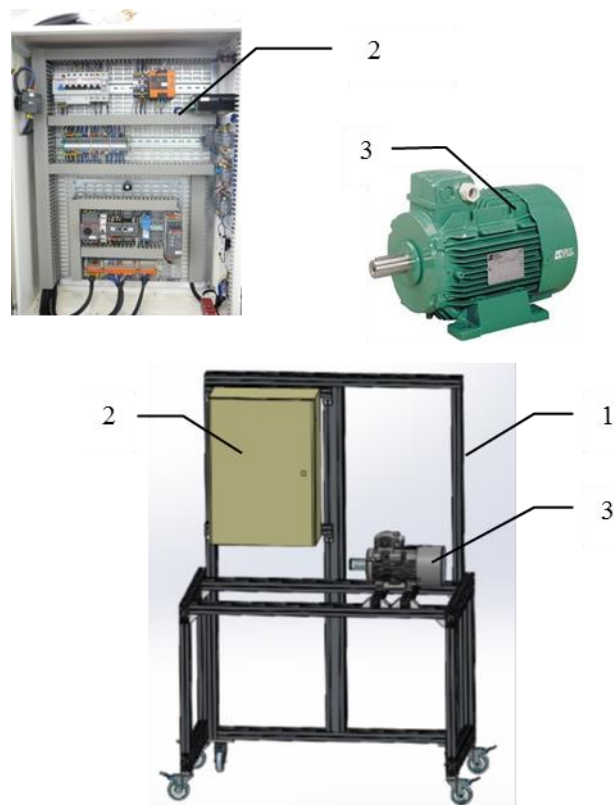
This kit is supplied in the form of a pre-equipped box with disconnecter, plate, ducts, control knobs and power components mentioned above... The door of the enclosure is transparent in order to visualize the status of the components without affecting the safety of intervention.

The rugged design of this equipment makes it perfectly suited for use in a school setting.

Its anodized aluminum structure on wheels gives it great robustness as well as great flexibility of integration into your premises.

The manufacture of this equipment complies with the European Machinery Directive

## Illustrations



## Technical details

1. Support structure in anodised aluminium profile equipped with 4 directional castors with brake
2. 700x500x250mm box with transparent door equipped with:
  - a disconnect, 2 push buttons (on/off), 1 switch, 1 emergency stop,
  - 1 speed setpoint setting potentiometer for the inverter,
  - 1 tetrapolar head circuit breaker, 1 x 24Vdc power supply, 1 magnetothermal motor circuit breaker with additive contact,
  - 1 1-way contactor with NO additive contact,
  - 1 inverter contactor with NO and NC additive contacts,
  - 1 soft starter,
  - 1 timer relay,
  - a 230V single-phase / three-phase inverter
3. Three-phase asynchronous motor 0.25kW, 1500rpm with rotating shaft protection cowling.

## Services required

- Electrical supply : 400 Vac – 50 Hz – 4 A
- Electrical network : 3 phase(s) + Neutral + Earth.
- Dimensions: (LxWxH mm): 1000 x 700 x 1800
- weight (Kg): 80

## Documentation

- User's manual
- Technical documentation of the components
- Wiring diagram
- Certificate of conformity CE

Note : if the equipment installation is operated by our staff, all supplies and exhaust connections required must stand at less than 2m from the machine