

MMR 317

MMR317 - GEAR REDUCER UNIT WITH HELICAL GEAR WHEELS-Kit without constraint

Composed of:

- 1 gear reducer delivered in compartmentalized box (with foam inlay)
- 3D solidworks files
- All documents originally mounted in forces are assembled with set
- Disassembly procedure

The MMR317 serves as an introductory project to the field of assembly techniques. The assembly and disassembly processes can easily be completed within standard lesson times.

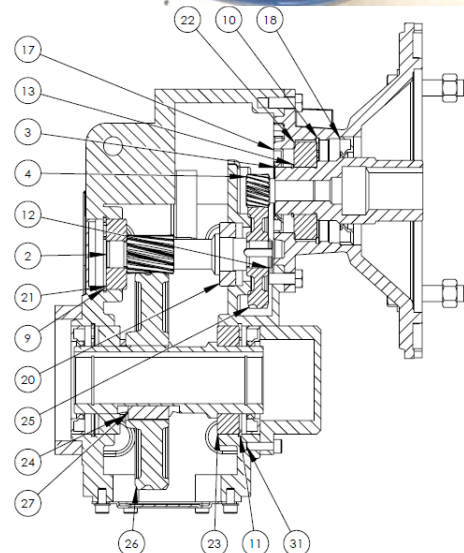
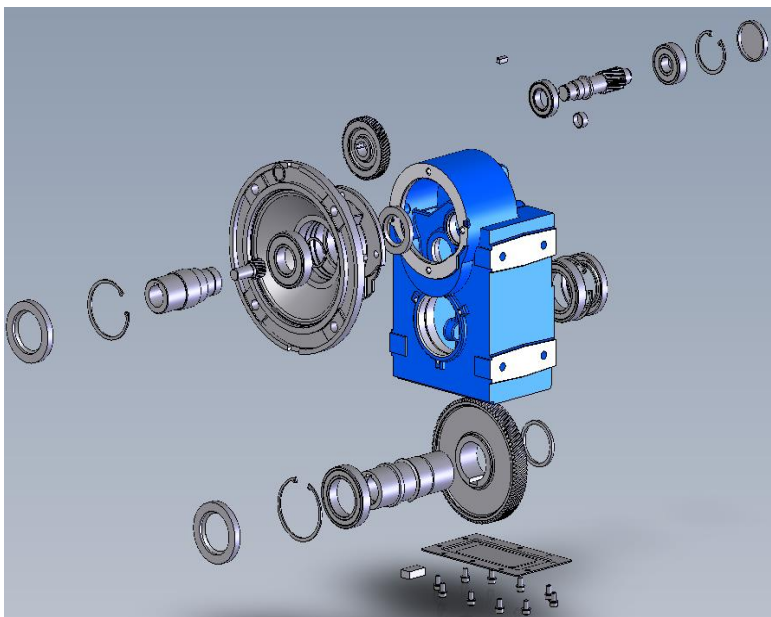
Pedagogical objectives:

- design and function of a reducer gear, with helical gear wheels
- planning and presentation of the assembly process
- assembly and disassembly, including for the purposes of maintenance and repair
- reading and understanding engineering drawings
- dimensioning exercises, gauging of parts
- familiarisation with various machine elements: ball bearings, shaft seals
- familiarisation with assembly aids and jigs
- material selection criteria

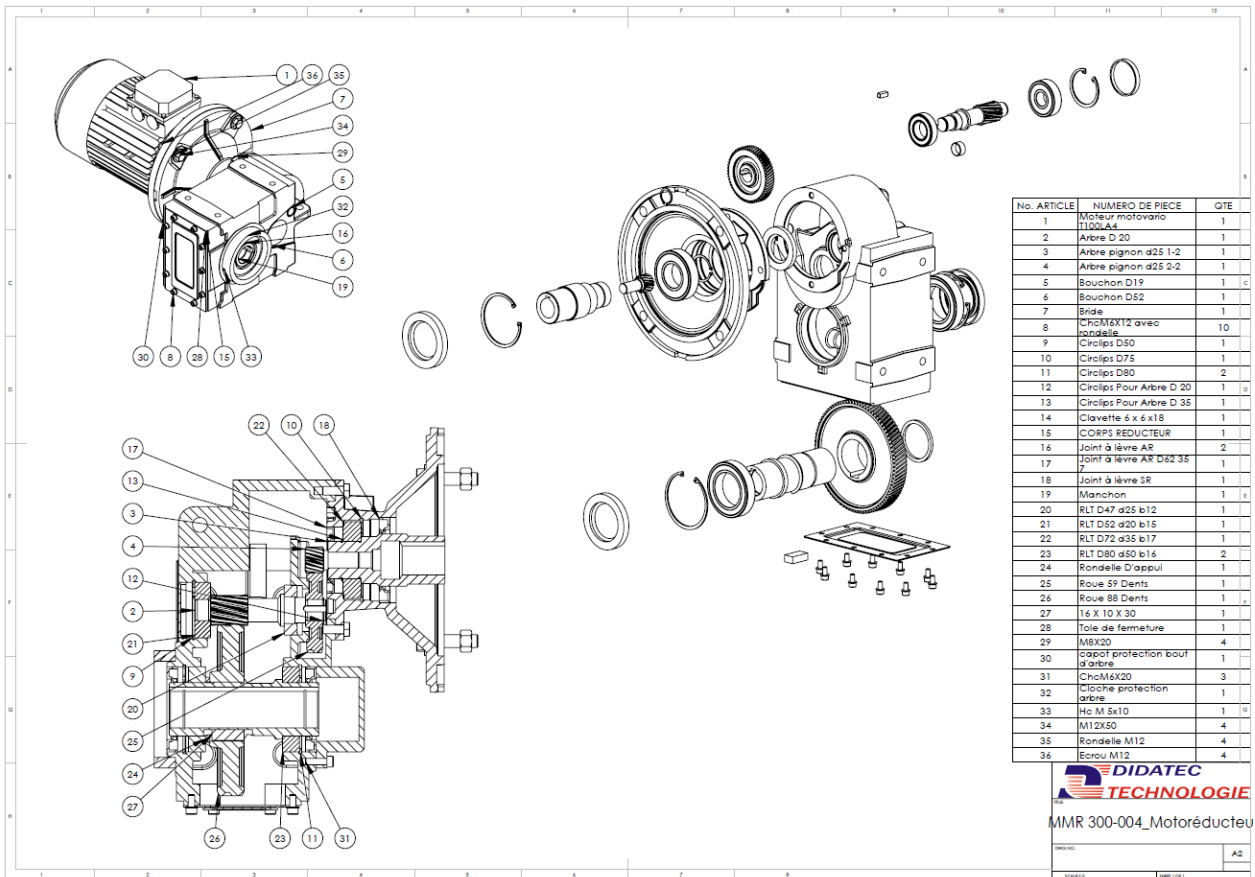
Dimensions and Weight

LxWxH: 600x500x350mm (case)


Weight: approx. 25kg



MMR 317



No. ARTICLE	NUMERO DE PIECE	QTE
1	Moteur motorovario 1100-A4	1
2	Arbre D 20	1
3	Arbre pignon d25 1-2	1
4	Arbre pignon d25 2-2	1
5	Bouchon D19	1
6	Bouchon D52	1
7	Gras	1
8	ChcM4x12 avec rondelle	10
9	Circelis D50	1
10	Circelis D75	1
11	Circelis D80	2
12	Circelis Pour Arbre D 20	1
13	Circelis Pour Arbre D 35	1
14	Clavette 6 x 6 x18	1
15	CORPS REDUCTEUR	1
16	Joint à lèvres AR	2
17	Joint à lèvres AR D62 35	1
18	Joint à lèvres SR	1
19	Manchon	1
20	RLT D47 d20 e12	1
21	RLT D52 d20 e15	1
22	RLT D72 d35 e17	1
23	RLT D80 d50 e16	2
24	Rondelle D'axe-pui	1
25	Roue 59 Dents	1
26	Roue 88 Dents	1
27	16 X 10 X 30	1
28	Toile de fermeture	1
29	M8x20	4
30	capot protection bout d'arbre	1
31	ChcM4x20	3
32	Clouche protection arbre	1
33	Mo M 5x10	1
34	M12x50	4
35	Rondelle M12	4
36	Ecroû M12	4


 MMR 300-004_Motoréducteur
 A2

